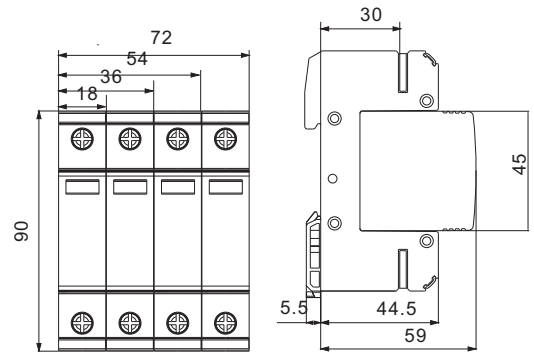


### Application

The type 2 surge protective device are applicable to discharge overvoltage caused by switch-type (8/20μs wave-form) over currents. The type 2 arresters must be installed into sub-distribution boards (at condominium into distribution boards of flats) after main distribution boards containing type 1 arresters. For proper operation at least 10- 15 m cable or wire must be placed between type 1 and type 2 arresters. Otherwise a decoupling coil has to be installed between the two devices. These protectors are modular types with changeable insert; the auxiliary contact is built-in into the housing of the device.

### Overall and Installation Dimension(mm)



### Technical Data

| Model   | EKU4-20                          |                       | EKU4-40    |                       | EKU4-B+C   |                       | EKU4-60    |                       | EKU4-80    |                       | EKU4-100   |                       |  |
|---|----------------------------------|-----------------------|------------|-----------------------|------------|-----------------------|------------|-----------------------|------------|-----------------------|------------|-----------------------|--|
| Type  | D                                |                       | C          |                       | B+C        |                       | B          |                       | B          |                       | B          |                       |  |
| Rated Voltage(Un)                                     | 275V                             | 385V                  | 275V       | 385V                  | 275V       | 385V                  | 275V       | 385V                  | 275V       | 385V                  | 275V       | 385V                  |  |
| Maximum Continuous Operation Voltage(Uc)              | 275V                             | 385V                  | 275V       | 385V                  | 275V       | 385V                  | 275V       | 385V                  | 275V       | 385V                  | 275V       | 385V                  |  |
| Voltage Protection Level (Up)                         | 1.2KV                            | 1.5KV                 | 1.3KV      | 1.6KV                 | 1.5KV      | 2.0KV                 | 1.4KV      | 2.0KV                 | 1.6KV      | 2.2KV                 | 2.0KV      | 2.5KV                 |  |
| Nominal Discharge Current In (8/20μs)                 | 10KA                             | 10KA                  | 20KA       | 20KA                  | 30KA       | 30KA                  | 30KA       | 30KA                  | 40KA       | 40KA                  | 60KA       | 60KA                  |  |
| Maximum Discharge Current I <sub>max</sub> (8/20μs)   | 20KA                             | 20KA                  | 40KA       | 40KA                  | 50KA       | 50KA                  | 60KA       | 60KA                  | 80KA       | 80KA                  | 100KA      | 100KA                 |  |
| Maximum Discharge Current I <sub>max</sub> (10/350μs) |                                  |                       |            |                       | 7KA        | 7KA                   |            |                       |            |                       |            |                       |  |
| Reaction Time   | <25ns                            |                       | <25ns      |                       | <25ns      |                       | <25ns      |                       | <25ns      |                       | <25ns      |                       |  |
| Test Level  | T2                               |                       | T2         |                       | T1+T2      |                       | T2         |                       | T2         |                       | T2         |                       |  |
| Width/Pole  | 18mm                             |                       | 18mm       |                       | 18mm       |                       | 18mm       |                       | 18mm       |                       | 18mm       |                       |  |
| Color Mark  | Black                            |                       | Yellow     |                       | Blue       |                       | Red        |                       | Red        |                       | Red        |                       |  |
| Shell Material  | PBT                              |                       | PBT        |                       | PBT        |                       | PBT        |                       | PBT        |                       | PBT        |                       |  |
| Ambient Temperature                                   | -40°C~80°C                       |                       | -40°C~80°C |                       | -40°C~80°C |                       | -40°C~80°C |                       | -40°C~80°C |                       | -40°C~80°C |                       |  |
| Fuse or Circuit Breaker Matched                       | 20A                              |                       | 25A        |                       | 32A        |                       | 32A        |                       | 32A        |                       | 40A        |                       |  |
| Terminal Specification                                | Line                             | 2.5~35mm <sup>2</sup> |            | 2.5~35mm <sup>2</sup> |            | 2.5~35mm <sup>2</sup> |            | 2.5~35mm <sup>2</sup> |            | 2.5~35mm <sup>2</sup> |            | 2.5~35mm <sup>2</sup> |  |
|   | PE                               | 4.0~35mm <sup>2</sup> |            | 4.0~35mm <sup>2</sup> |            | 4.0~35mm <sup>2</sup> |            | 4.0~35mm <sup>2</sup> |            | 4.0~35mm <sup>2</sup> |            | 4.0~35mm <sup>2</sup> |  |
|   | Signal                           | 1.5mm <sup>2</sup>    |            | 1.5mm <sup>2</sup>    |            | 1.5mm <sup>2</sup>    |            | 1.5mm <sup>2</sup>    |            | 1.5mm <sup>2</sup>    |            | 1.5mm <sup>2</sup>    |  |
| No.of Pole  | 1P, 2P, 3P, 4P, 1P+N, 2P+N, 3P+N |                       |            |                       |            |                       |            |                       |            |                       |            |                       |  |
| Protection Degree                                     | IP20                             |                       |            |                       |            |                       |            |                       |            |                       |            |                       |  |
| Mounting  | DIN rail 35mm                    |                       |            |                       |            |                       |            |                       |            |                       |            |                       |  |
| Network System  | TN, TT, IT                       |                       |            |                       |            |                       |            |                       |            |                       |            |                       |  |
| Signal Terminal                                       | Available                        |                       |            |                       |            |                       |            |                       |            |                       |            |                       |  |